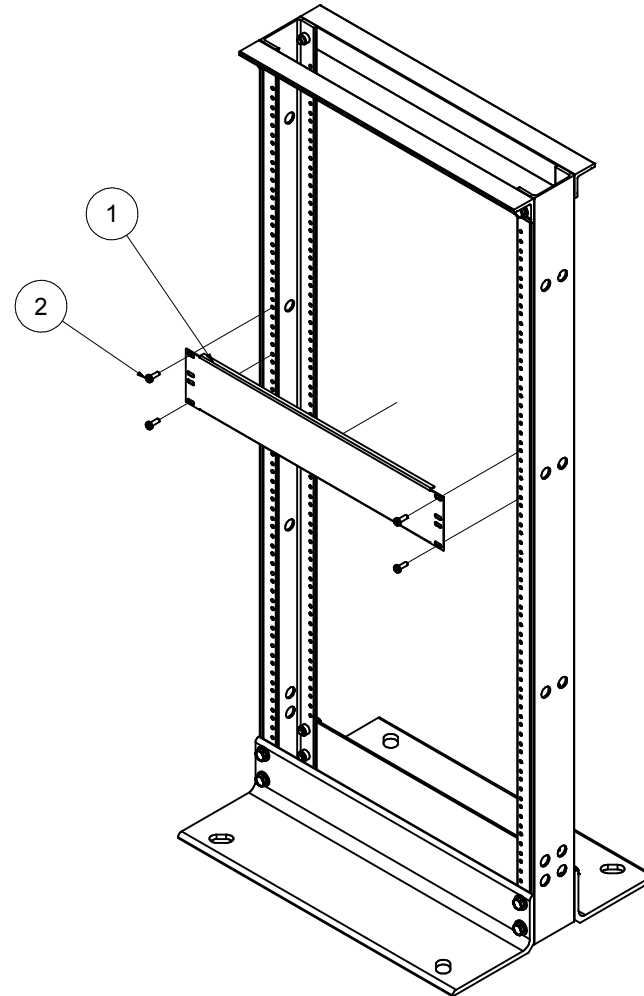


INSTRUCTION SHEET- F4D162-2

BLANK PANEL 19" 2U

INSTRUCTIONS

1. Attach panel (1) to rack using the provided screws (2).



TOOLS NEEDED:
#2 Phillips screwdriver

PARTS LIST		
ITEM	QTY	DESCRIPTION
1	1	Blank Panel 2 RMS
2	4	Pan Head Phillips 12-24 x 0.625